

# Room Reservation Request by Supervisor of Elections

City Council Requested Information

# Overview

- Legal Parameters and City Policy
- Room Reservation Request
- City Council Requested Information
  - Historic Use by Supervisor of Elections
  - Community Center Room Information
  - Possible Room Reservation Conflicts
  - Survey Regarding Election Day Meetings
  - Election Data
  - Library/Community Center Room Comparison
- City Council Direction to City Staff

# Legal Parameters and City Policy

## Ownership and Use of Community Center

- Deeded by County to City on November 6, 2000
  - County Resolution: Whereas Clause “to provide government services”
  - No deed restrictions regarding use of building
- City Policy Regarding Community Center Use
  - Parks and Recreation Department Staff Manage Room Reservations
  - Fee Structure Adopted by City Council

# Legal Parameters and City Policy

## City Council Meetings

- City Charter Requirements
  - Meet at least once per month
  - Time and Place Set by Ordinance
- Implementing Ordinance (Ord. 99-01 & 00-04)
  - Community Center as Location
  - 1<sup>st</sup> Tuesday at 6:30 PM
  - 3<sup>rd</sup> Tuesday at 9:00 AM

# Reservation Request by Supervisor of Elections

- Exclusive Use of Community Center Room #102 as Early Voting Location and Election Day Polling Place for both Primary and General Election in 2014
  - August 11, 2014 – August 23, 2014 (13 days)
  - August 26, 2014
  - October 20, 2014 – November 1, 2014 (13 days)
  - November 4, 2014
- City staff have offered Room #107&108
  - Impact to user groups

# Requested Information



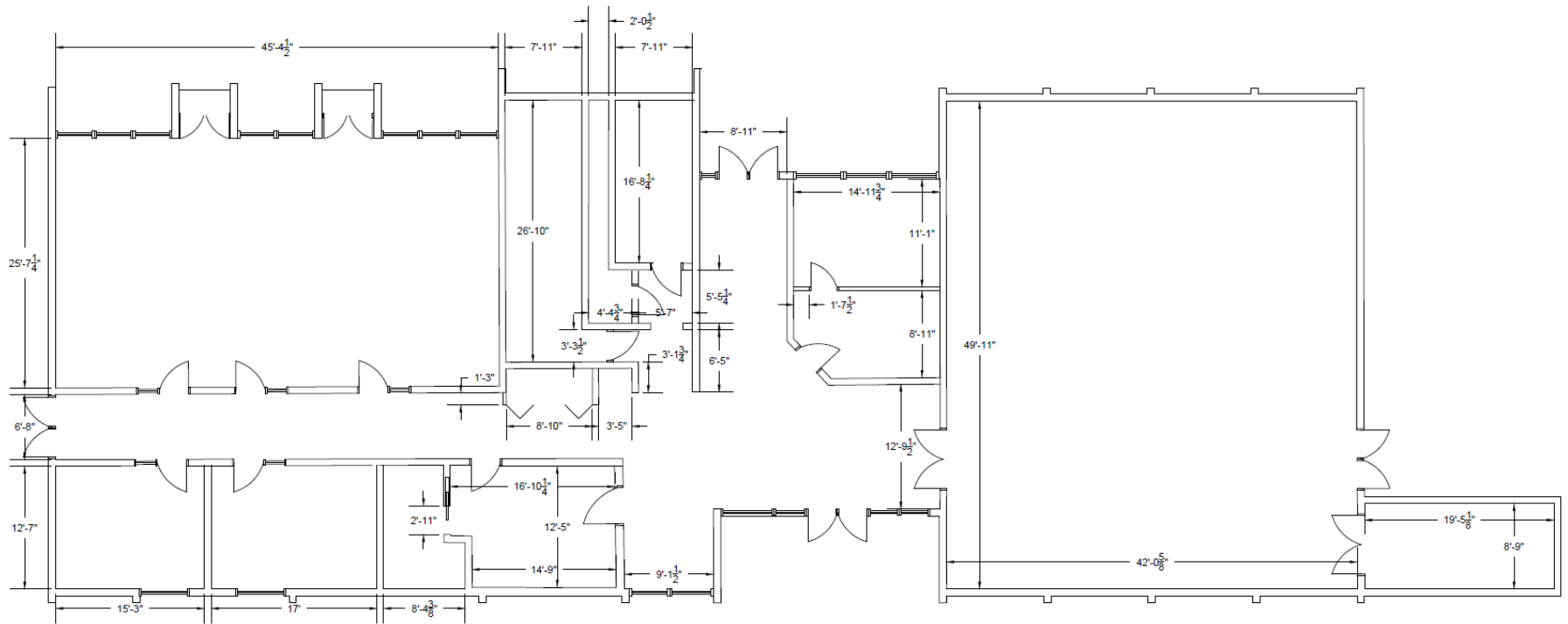
Related to Supervisor of Elections  
Room Reservation Request



# Historic Use by Supervisor of Elections

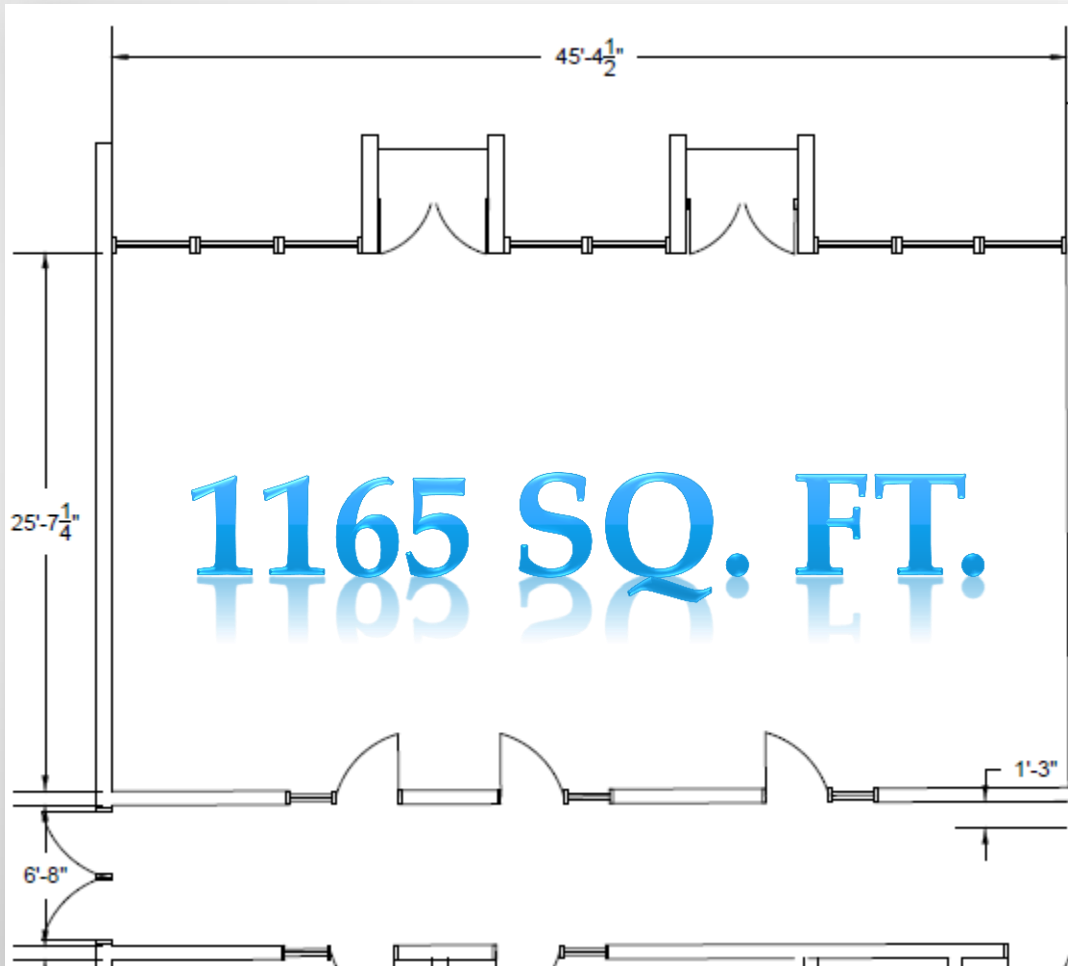
	SOE CC Reservation	City Council Meeting
2008 Early Voting	N/A (3 Other Locations)	As Normal Scheduled
2008 Primary	Room #102	Workshop at City Offices
2008 General	Room #107/108	Meeting at CC #102
2009 Special Primary	Room #107/108	Meeting at CC #102
2009 Special General	Room #107/108	Meeting at CC #102
2010 Early Voting	N/A (3 Other Locations)	As Normal Scheduled
2010 Primary	Room #102	Workshop at City Offices
2010 General	Room #107/108	Meeting at CC #102
2012 Early Voting	N/A (2 Other Locations)	As Normal Scheduled
2012 Primary	Room #107/108	Workshop at City Offices
2012 General	Room #107/108	Meeting at CC #102
2013 Special Referendum	Room #102	No CC Meeting (Friday)

# Community Center Information





# Room 107&108



# Room 102



# Possible Room Reservation Conflicts

Early Voting - Primary

Room #102

Date	2014	2013	2012
August 11		Turning Point Church	Sweet Sixteen
August 12			Turning Point Church
August 13	LSAC Meeting,		
August 14		LSAC Meeting	
August 15			PLDRB
August 16	Church		
August 17	Turning Point Church	Church, Birthday Party	
August 18		Turning Point Church	
August 19	<b>City Council</b>	Training, City Council Setup	Turning Point Church
August 20		<b>City Council</b>	
August 21			<b>City Council</b>
August 22			
August 23	Church	Community Center Master Plan Meeting	

# Possible Room Reservation Conflicts

**Primary Election Day – August 26, 2014**

- No current room reservations for Room #102

# Possible Room Reservation Conflicts

Early Voting - General

Room #102

Date	2014	2013	2012
October 20		Pizza Party/Dance	
October 21	<b>City Council</b>	Women's Self Defense	Turning Point Church
October 22		Town Hall Meeting	Employee Meeting
October 23			Employee Meeting
October 24			
October 25	Church	AARP Driver Safety, Boo Bash	Kemper Meeting
October 26	Turning Point Church	Church	
October 27		Turning Point Church	Movie Night
October 28		Historical Society, Women's Self Defense	Turning Point Church
October 29	Sports Alliance		Sheriff's Office Presentation, Union Negotiations
October 30		Sports Alliance	Mayor Town Hall
October 31		Club Meeting	
November 1	Church	Wedding	Women's Self Defense

# Possible Room Reservation Conflicts

**General Election Day – November 4, 2014**

- City Council Meeting

# Survey Regarding Election Day Meetings

## ELECTION DAY COUNCIL MEETINGS

<b>Live Oak</b>	Opens mtg -adjourns-so Council can take part in the election or participate on Canvassing Board
<b>Miami Shores</b>	Never cancelled or amended start time
<b>Mount Dora</b>	Never cancelled a Council mtg for election day past 7 yrs
<b>Orange Park</b>	Do not cancel on election day
<b>Sanibel</b>	Never cancelled a Council mtg for election day

### CITIES THAT CHANGED DAYS

<b>Port Orange</b>	Changed to Wednesday
--------------------	----------------------

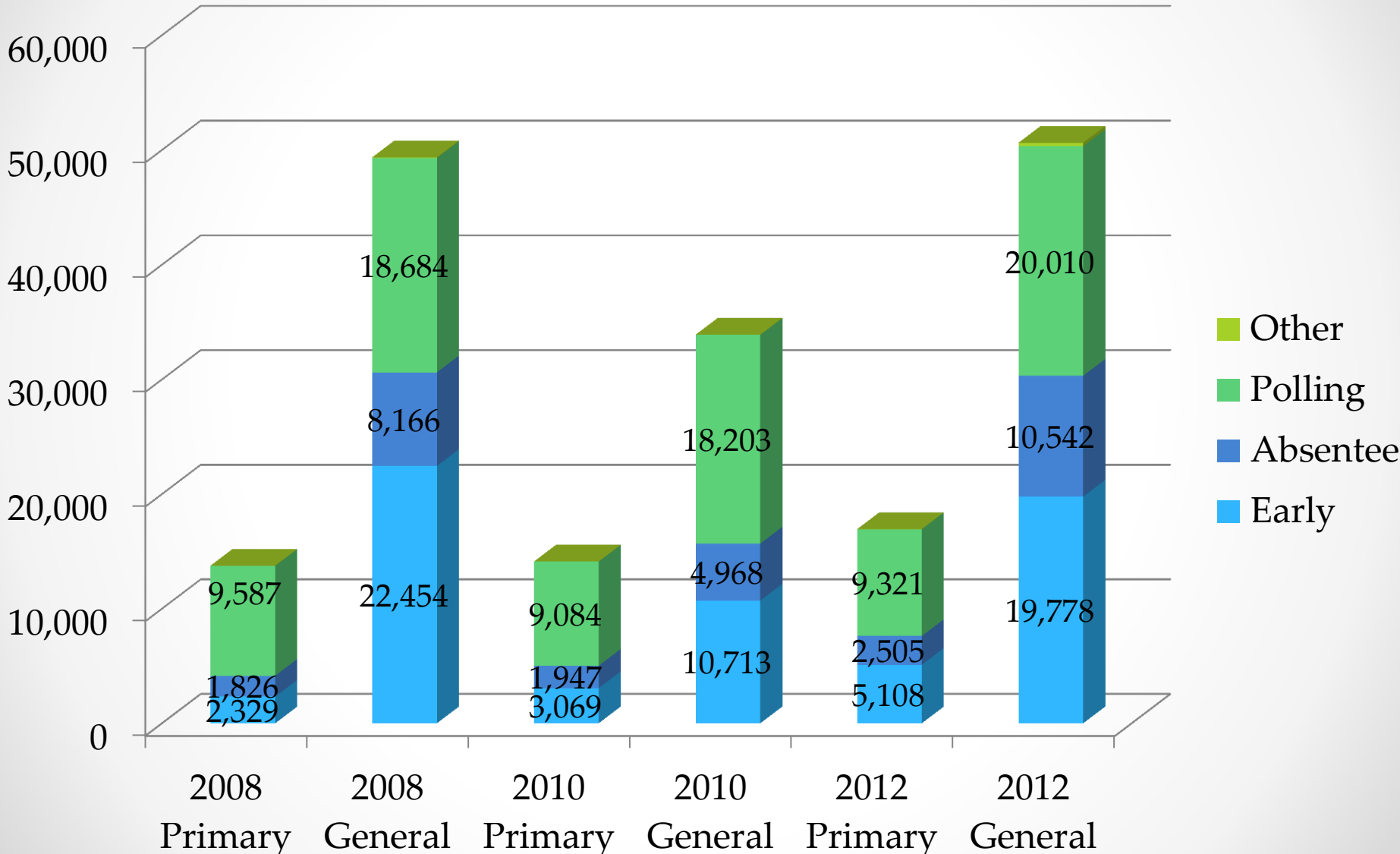
### CITIES THAT CANCELLED BUSINESS MEETINGS

**City of Parker**

### CITIES THAT DO NOT SCHEDULE ON ELECTION DAY

**Lake City**

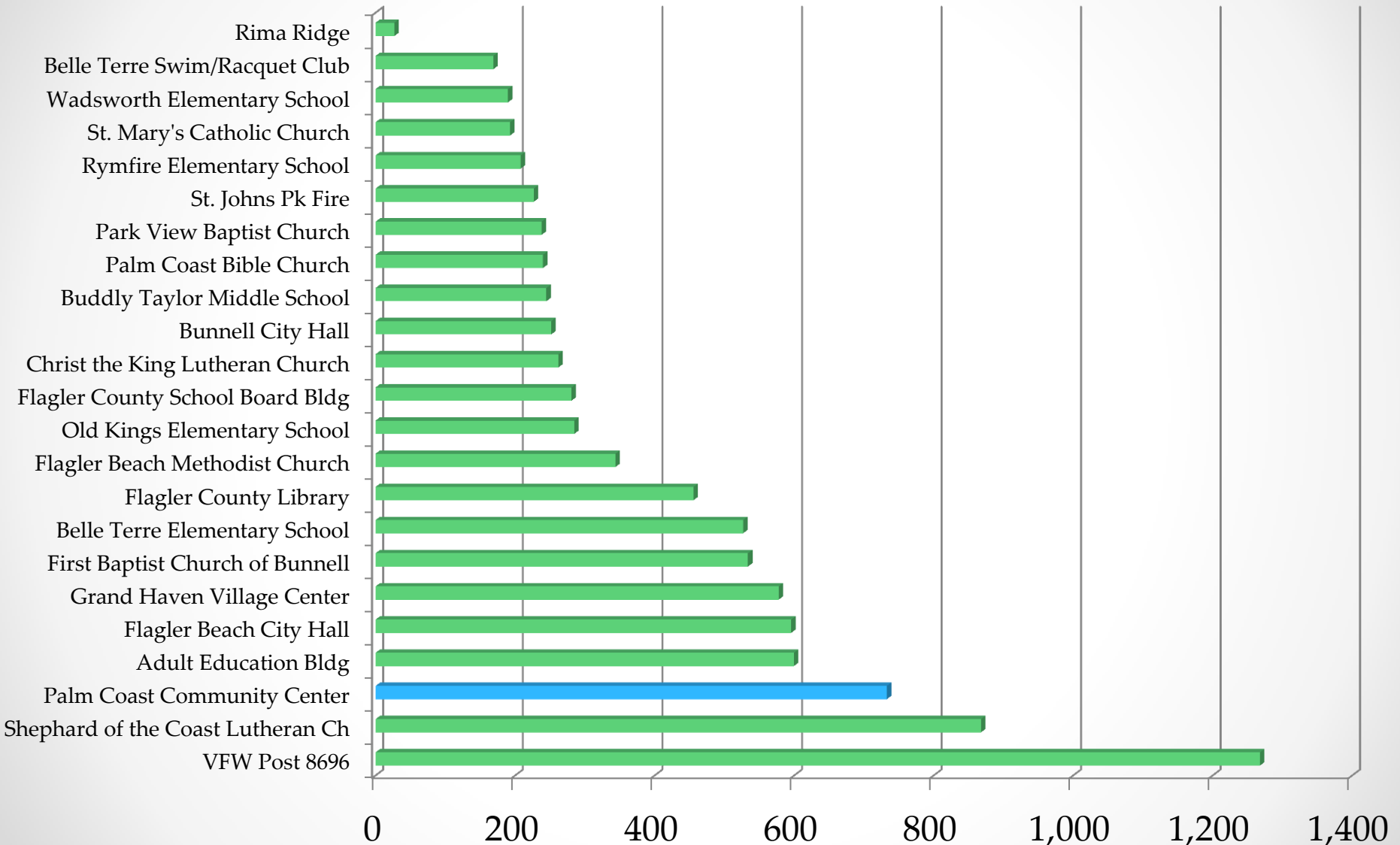
# Election Data - Countywide



Source: SOE Official Results / Note: 2012 Cards Cast ÷ 2 to estimate votes

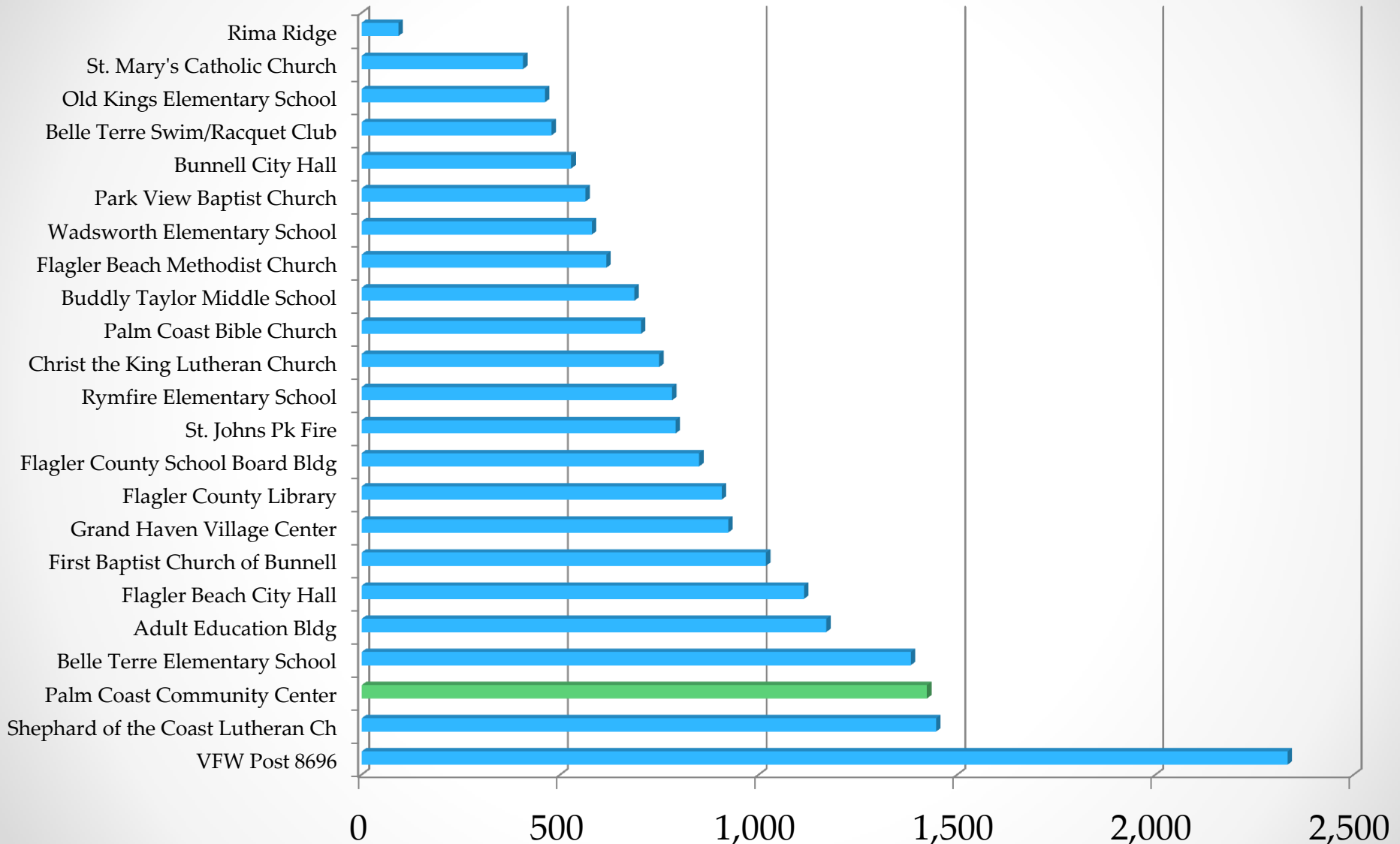


# Election Data – 2012 Primary: Election Day



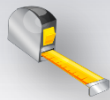
• *Source: SOE Official Results* •

# Election Data – 2012 General: Election Day



• *Source: SOE Official Results / Note: Cards Cast ÷ 2 to estimate voters* •

## 2012 Election – Early Voting In Palm Coast



972 s.f.



14 Booths\*  
3 Evid\*

## 2014 Election – Early Voting In Palm Coast



972 s.f.



14 Booths\*  
3 Evid\*



Room 107/108



1165 s.f.

↑120%



20 Booths\*  
3 Evid\*

↑143%

Room 102

2063 s.f.

↑177%

60 Booths\*  
4 Evid\*

↑429%

*\*Information provided by Supervisor of Elections*

# City Council

## Direction to City Staff

Provide Direction to City Staff regarding Supervisor of Elections request for Exclusive Use of Community Center Room #102 for the following dates.

**August 11-23, 2014** (Early Voting: Primary)

- Cancel/Move City Council Meeting on August 19, 2014
- Impacts to User Groups

**August 26, 2014** (Election Day: Primary)

- No Current Reservations

**Oct. 20-Nov. 1, 2014** (Early Voting: General)

- Cancel/Move City Council Meeting on October 21, 2014
- Impacts to User Groups

**November 4, 2014** (Election Day: General)

- Cancel/Move City Council Meeting on November 4, 2014